



ZANIN-16-11-16



### DETAILS

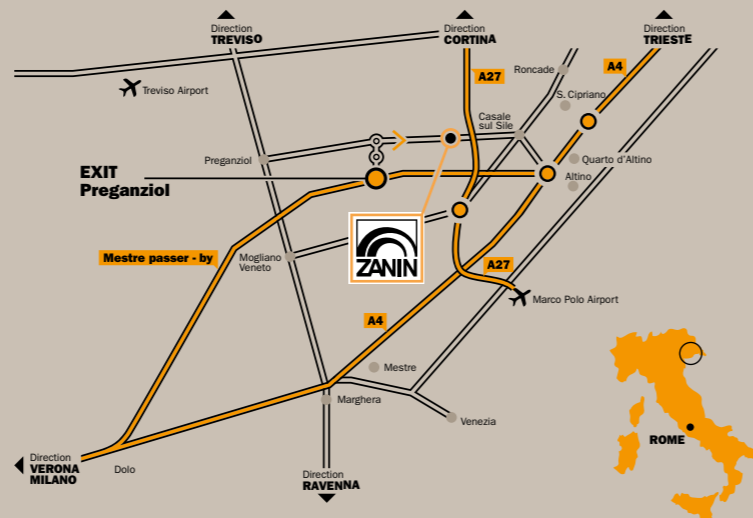
- 01) Tanning unit with electrical control panel
- 02) Tanning unit with volumetric doser and mixing auger
- 03) Electric control panel for selection plant
- 04) Portable doser unit



**ZANIN F.lli s.r.l.**  
Viale delle Industrie, 1  
31032 Casale sul Sile (TV) - Italy

T. +39 0422 785444  
F. +39 0422 785805

www.zanin-italia.com  
info@zanin-italia.com



## SEEDS SELECTION PLANTS



### RESELLER



©2014 ZANIN F.LLI - All contents (text, photos, graphic) present in this brochure are propriety of the ZANIN F.LLI company and are protected by the current law. The brochure cannot be published, reproduced, rewritten, distributed, and commercialized without explicit authorization. Brands, denominations and the mentioned companies inside of this brochure are propriety of respective proprietors and are protected by the current law in matter of brands, patents and / or copyright.  
The company Zanin F.lli disclaims any liability for any inaccuracies in this depliant and reserves the right to make changes to the product as it deems appropriate at any time and without notice.

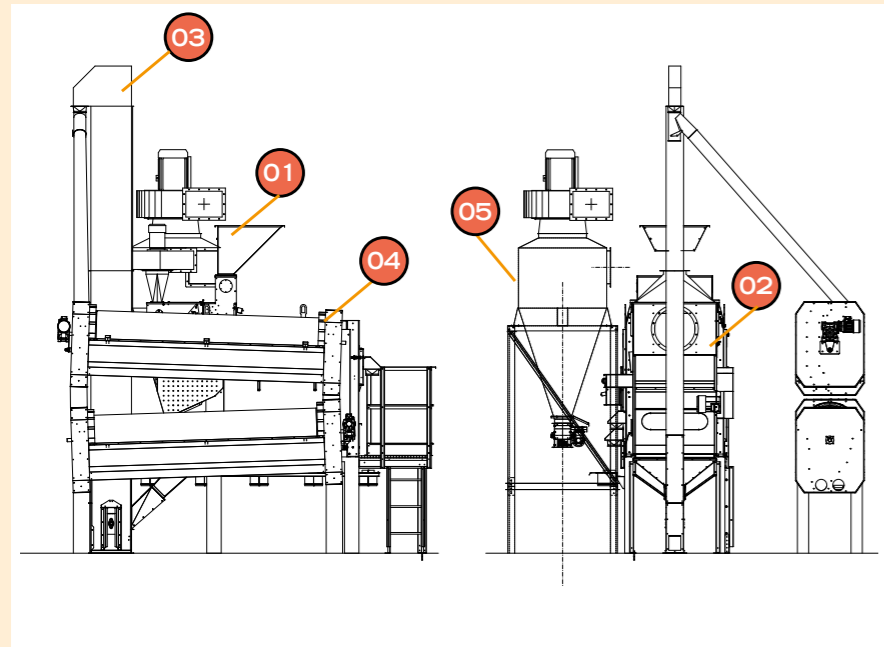
WARNING: INFORMATION IS NOT BINDING, PLEASE REFER TO THE TECHNICAL DOCUMENTATION RELEASED DIRECTLY BY ZANIN F.LLI





# FIXED SEEDS SELECTION

Zanin's fixed selection plant has been designed for cereals and seeds selection in general. The plant in its different operations eliminates the different light impurities from the seeds, in function the seed to select.

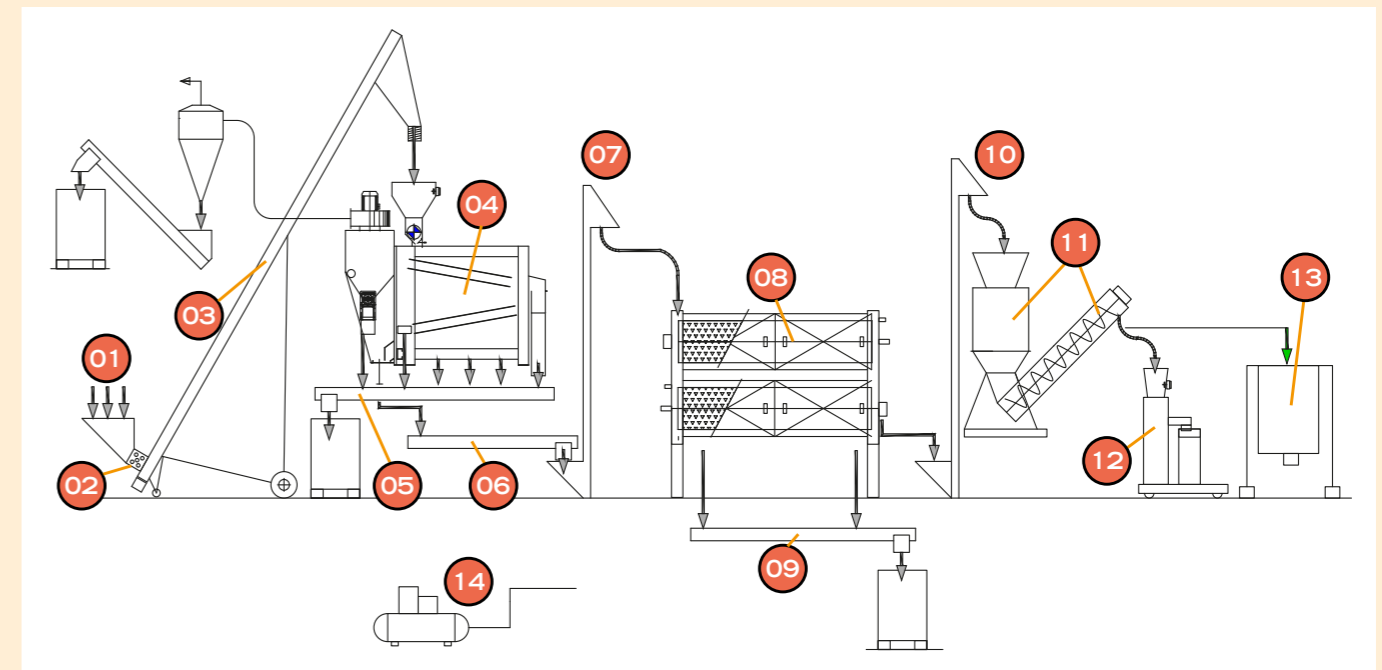


### LEGEND

- 01) Loading
- 02) Cleaner
- 03) Elevator
- 04) Indented cylinders
- 05) Cyclone

# MOBILE SEEDS SELECTION

Zanin's moving seed selection plant, compared to the fixed one, has the characteristic to be transportable, being assembled on a wheeled cart. As the fixed one it has been designed for cereals and seeds selection in general. The plant in its different operations eliminates from the seeds the different light impurities, in function of the seed to select.



### LEGEND

- 01) Loading
- 02) Metal separator
- 03) Loading auger
- 04) Sieves cleaner
- 05) Scraps auger
- 06) Production convoy auger
- 07) Lifter
- 08) Indented cylinders
- 09) Scraps auger
- 10) Lifter
- 11) Tanning
- 12) Bag 25-50 kg
- 13) Big-Bags
- 14) Compressor