



ZANIN-09-06-15

**DETAILS**

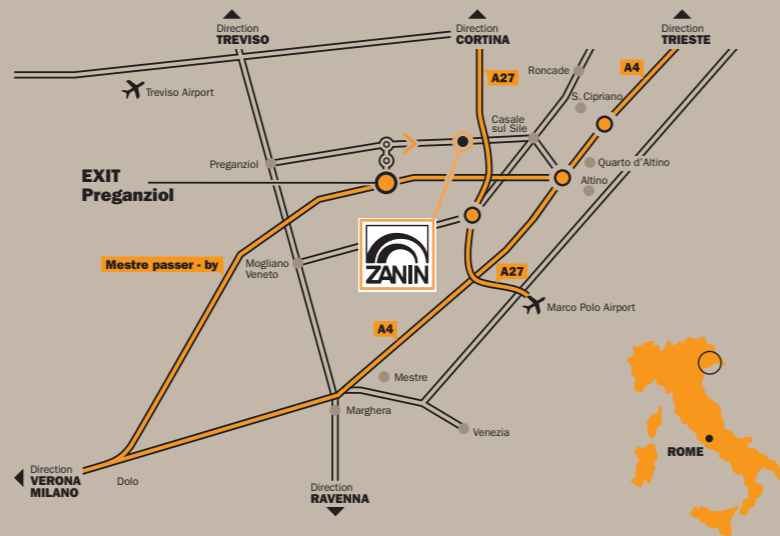
- 01) Computerised control panel
- 02) Caps for measuring temperature
- 03) Mineral wool external coating
- 04) Outlet cone detail
- 05) Chimney flue



**ZANIN F.lli s.r.l.**  
 Viale delle Industrie, 1  
 31032 Casale sul Sile (TV) - Italy

T. +39 0422 785444  
 F. +39 0422 785805

www.zanin-italia.com  
 info@zanin-italia.com



# INDIRECT HOT AIR GENERATOR

©2015 ZANIN F.LLI - All contents (text, photos, graphic) present in this brochure are propriety of the ZANIN F.LLI company and are protected by the current law. The brochure cannot be published, reproduced, rewritten, distributed, and commercialized without explicit authorization. Brands, denominations and the mentioned companies inside of this brochure are propriety of respective proprietors and are protected by the current law in matter of brands, patents and / or copyright.  
 The company Zanin F.lli disclaims any liability for any inaccuracies in this depliant and reserves the right to make changes to the product as it deems appropriate at any time and without notice.

WARNING: INFORMATION IS NOT BINDING. PLEASE REFER TO THE TECHNICAL DOCUMENTATION RELEASED DIRECTLY BY ZANIN F.LLI

**RESELLER**

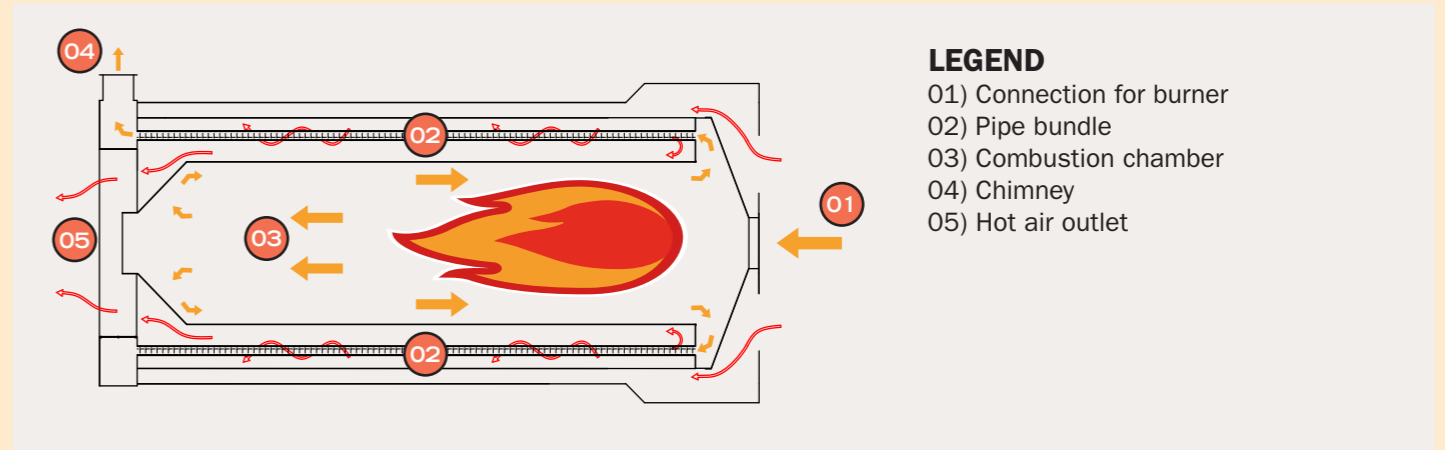
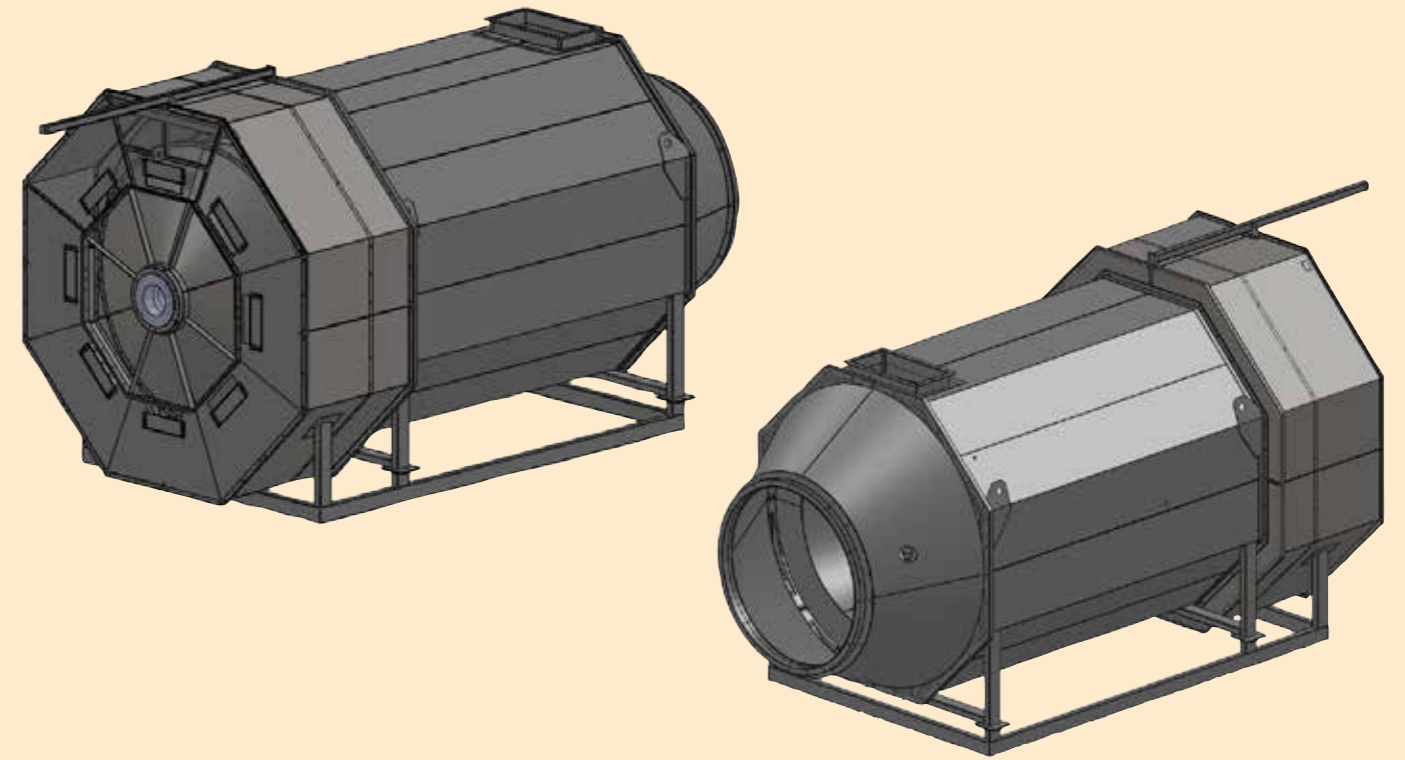


**Agro-Industry**

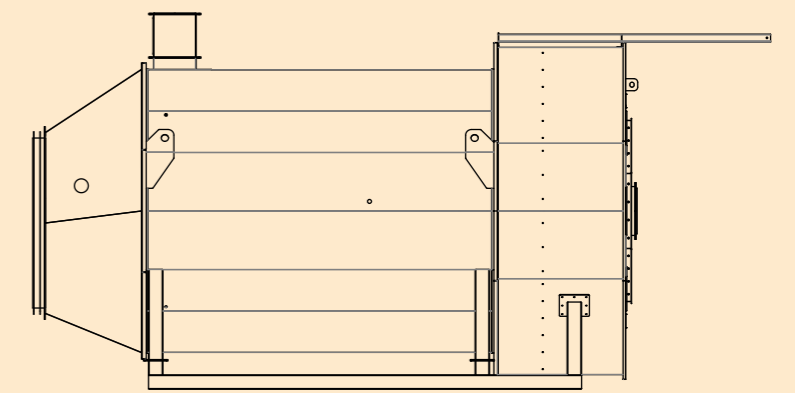
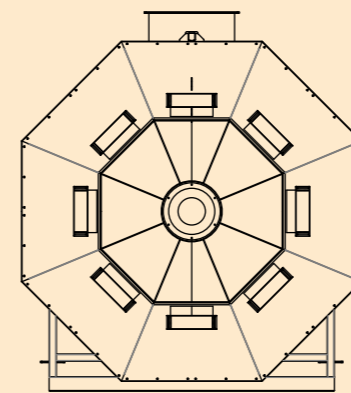


# INDIRECT HOT AIR GENERATOR

Our indirect hot air generators are used on drying plants for cereals in which it is essential that the air is not polluted by combustion residues. The structure is in the shape of horizontal octagonal, with stainless steel high temperatures combustion chamber, pipe bundle with inner tubular, external waterproofing, circular section chimney connection.



Indirect hot air generator operating with dense oil



MODEL	MAX THERMAL CAPACITY kcal/h	WIDTH mm	LENGHT mm	HEIGHT mm	INLET Ø mm	CHIMNEY Ø mm
GFI 100	1.000.000	1600	3450	1600	300x170	300
GFI 200	2.000.000	2500	4975	2960	1418	550