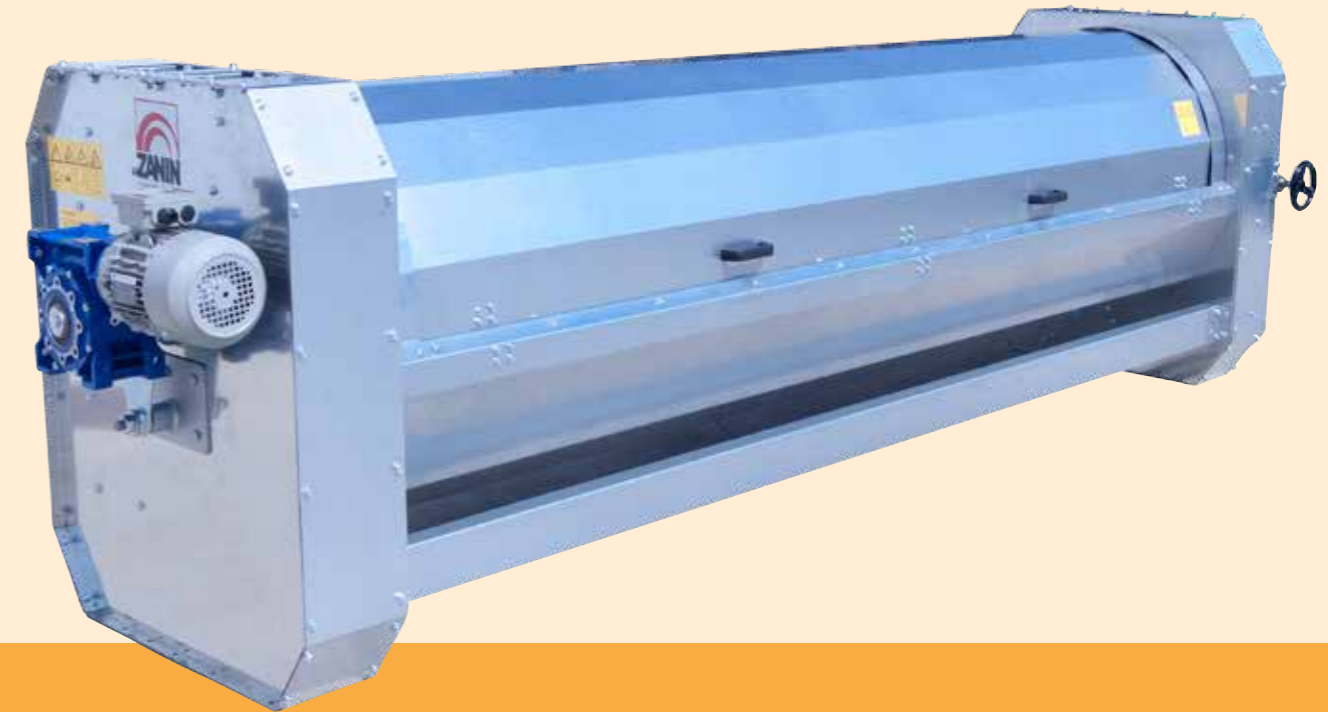
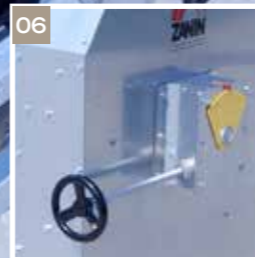
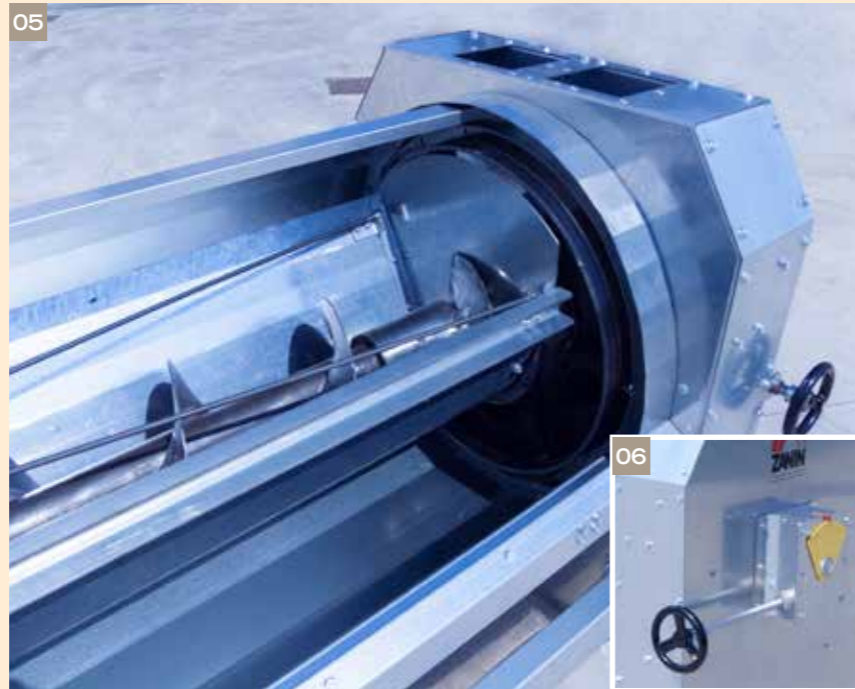




### DETAILS

- 01) Product discharge side view
- 02) Product check porthole
- 03) Mantle detail with bodies separation
- 04) Mantle cavity section
- 05) Basin interior (bag)
- 06) Bag regulation manual leaflet (basin)

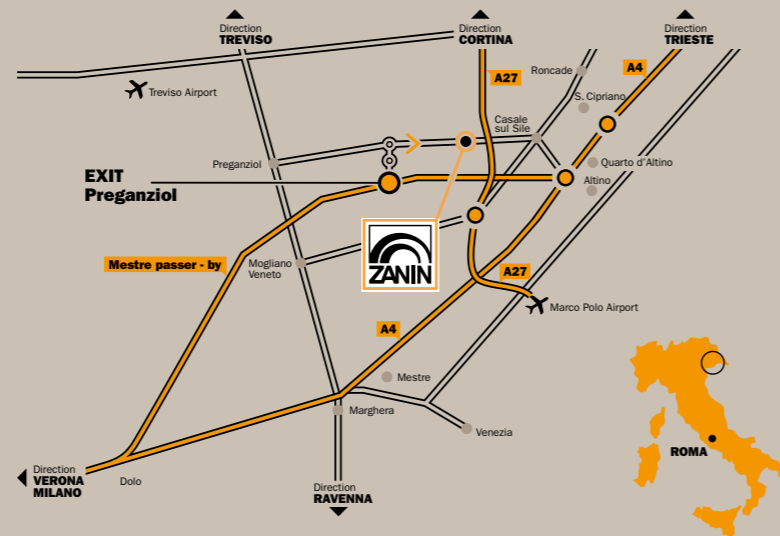
ZANIN-29-10-15



**ZANIN F.lli s.r.l.**  
Viale delle Industrie, 1  
31032 Casale sul Sile (TV) - Italy

T. +39 0422 785444  
F. +39 0422 785805

www.zanin-italia.com  
info@zanin-italia.com



## HONEYCOMBED CYLINDER

### RESELLER

©2014 ZANIN F.LLI - All contents (text, photos, graphic) present in this brochure are propriety of the ZANIN F.LLI company and are protected by the current law. The brochure cannot be published, reproduced, rewritten, distributed, and commercialized without explicit authorization. Brands, denominations and the mentioned companies inside of this brochure are propriety of respective proprietors and are protected by the current law in matter of brands, patents and / or copyright.  
The company Zanin F.lli disclaims any liability for any inaccuracies in this depliant and reserves the right to make changes to the product as it deems appropriate at any time and without notice.

WARNING: INFORMATION IS NOT BINDING, PLEASE REFER TO THE TECHNICAL DOCUMENTATION RELEASED DIRECTLY BY ZANIN F.LLI



# HONEYCOMBED CYLINDER

The honeycombed cylinder function is to separate the seeds in relation to the size, the cereal is inserted in a cylinder covered by a mantle with cavities drawn in function of the seed or other product to select.



## MANUFACTURING

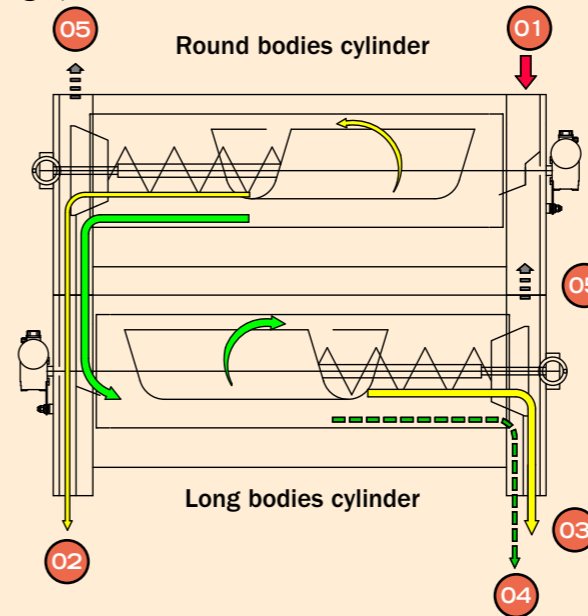
- Careening and assembled of drum support in zinc plated sheet
- Closure circular door equipped with handle and safety
- Special mantles fastened with bolts

## DETAILS

- 1) Selection plant with cylinders couple
- 2) Cylinders couple
- 3) Selection plant with CA 9/40

## USE FIELDS

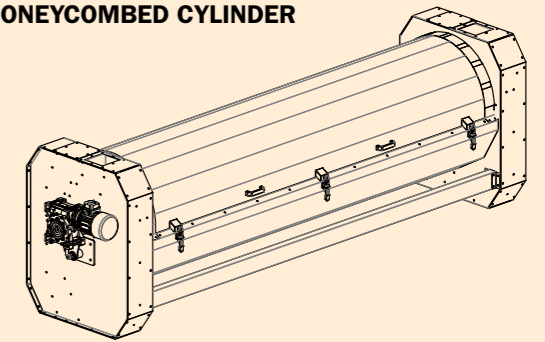
- Seeding (separate the short seeds from the long ones)
- Rice factories (separate entire grains from the broken ones)
- Mills (for the wheat cleaning)
- Silos (to separate mixed grains)
- Malt houses (eliminate the broken grains and the oat from the barley)
- Agro food industries (to calibrate the grains of different length)



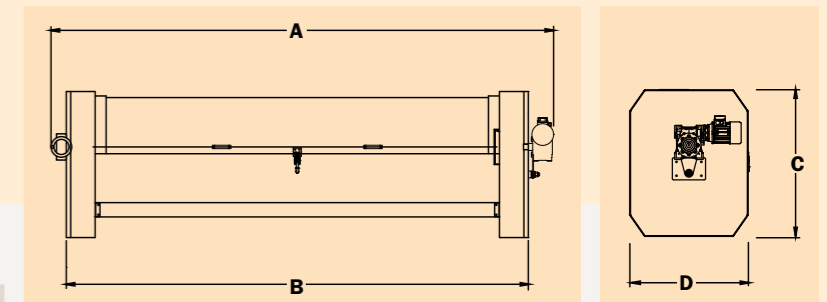
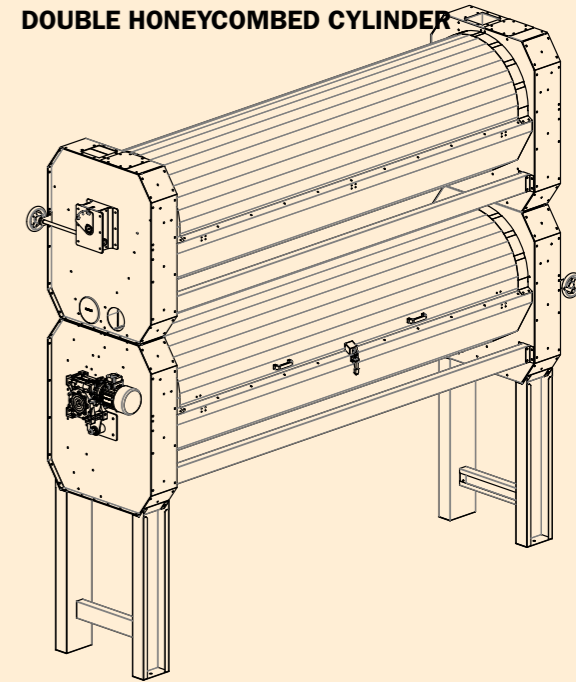
## LEGENDA

- 01 Product in entrance
- 02 Tares and breaks
- 03 Good product
- 04 Long bodies
- 05 Air with dust (optional)

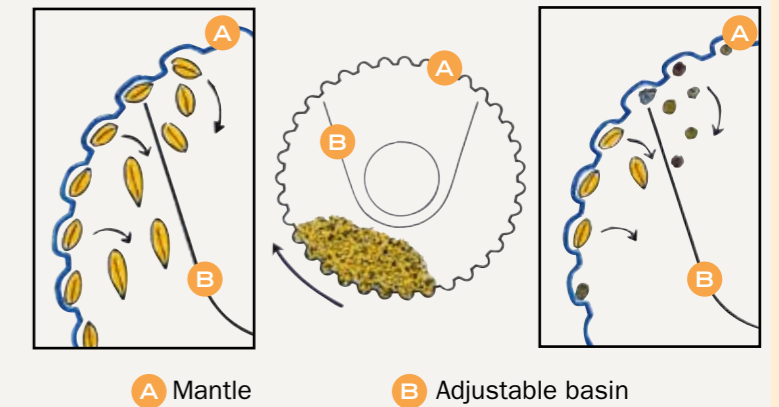
## HONEYCOMBED CYLINDER



## DOUBLE HONEYCOMBED CYLINDER



MODEL		CA 6/30	CA 9/40
Capacity with wheat	t/h	3	12
Power	Kw	1,5	4,0
Cylinder diameter	mm	600	900
Cylinder length	mm	3000	4000
A	mm	3727	4920
B	mm	3360	4400
C	mm	1062	1320
D	mm	860	1100
Weight	Kg	590	1210
Volume	m <sup>3</sup>	3	4,5



**N.B.:** Data and specifications calculated with a S.W. 0,78 t/m<sup>3</sup> product. The company declines every responsibility regarding the data care in this brochure and reserves the right to modify the product as necessary.