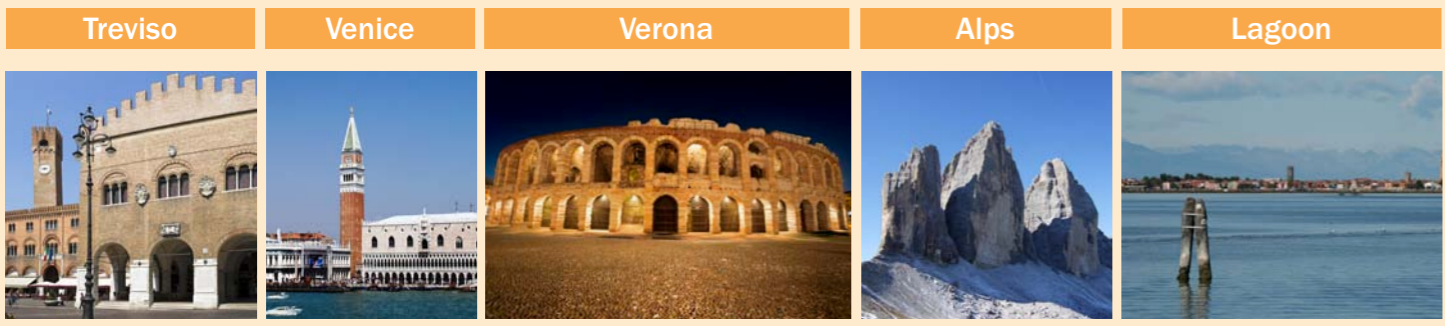


ZANIN-1609-15



Photos by Glaucio Granatelli, Walter Coledan, Dicaprio Veronica, Didier Descouens, Maik-T. Šebenik



ZANIN F.lli s.r.l.
 Viale delle Industrie, 1
 31032 Casale sul Sile (TV) - Italy
 T. +39 0422 785444
 F. +39 0422 785805
 www.zanin-italia.com
 info@zanin-italia.com



GRAIN SAMPLER PROBE

©2015 ZANIN F.LLI - All contents (text, photos, graphic) present in this brochure are propriety of the ZANIN F.LLI company and are protected by the current law. The brochure cannot be published, reproduced, rewritten, distributed, and commercialized without explicit authorization. Brands, denominations and the mentioned companies inside of this brochure are propriety of respective proprietors and are protected by the current law in matter of brands, patents and / or copyright.
 The company Zanin F.lli disclaims any liability for any inaccuracies in this depliant and reserves the right to make changes to the product as it deems appropriate at any time and without notice.
 WARNING: INFORMATION IS NOT BINDING, PLEASE REFER TO THE TECHNICAL DOCUMENTATION RELEASED DIRECTLY BY ZANIN F.LLI

RESELLER



GRAIN SAMPLER PROBE

The grain sampler probe is used for samples of products on trucks.

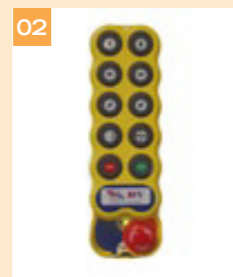
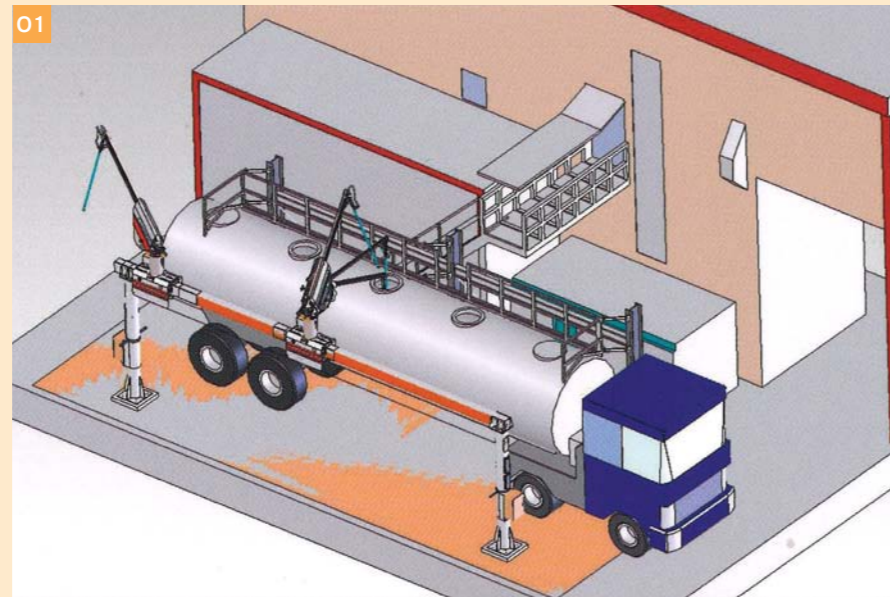


MANUFACTURING

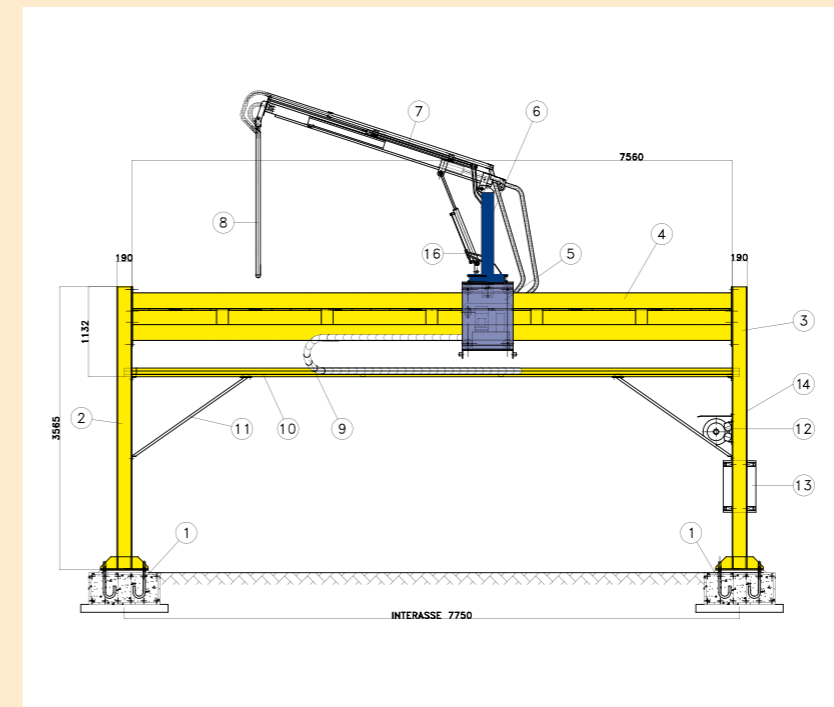
- Probe in stainless steel AISI 304
- Remote control
- Suction turbine
- Camera with LCD
- Single, double or spiral suction

DETAILS

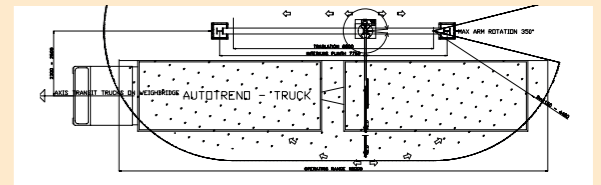
- 01) Samples' plant sketch
- 02) Keyboard for remote control
- 03) Aspiration turbine 2,2 kW
- 04) Video camera LCD



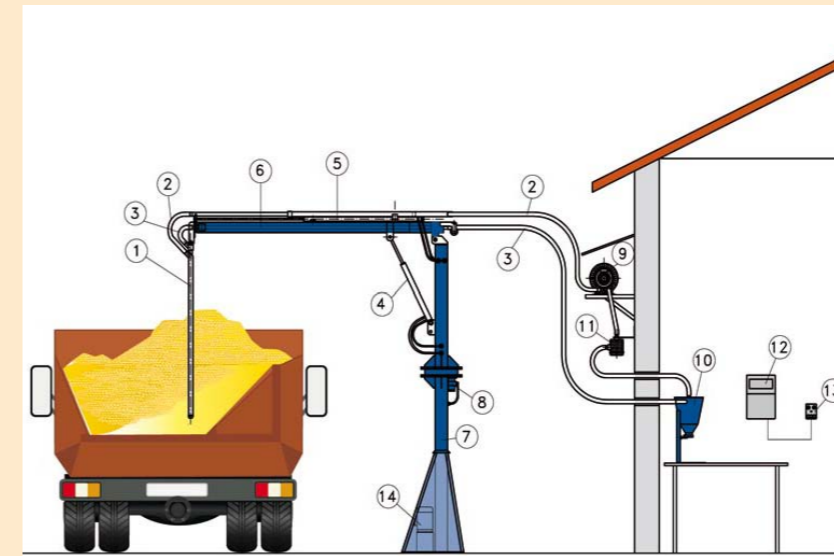
RAILS VERSION



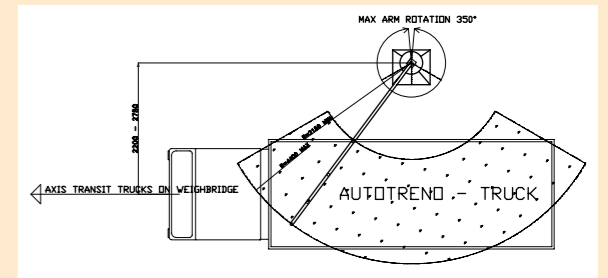
- 1) Metal frame
- 2) Upright
- 3) Upright
- 4) Binary support
- 5) Translation cart
- 6) Rotating vertical column
- 7) Telescopic arm
- 8) INOX steel probe
- 9) Cable carrier and hoses
- 10) Cable carrier sliding support
- 11) Diagonal reinforcement
- 12) Three-phase suction turbine
- 13) Electrical cabinet and control keyboard
- 14) Sampler quantity regulation valve
- 15) Hydraulic unit
- 16) Shut-off and speed control valve
- 17) Delivery hopper
- 18) Suction unit protection filter



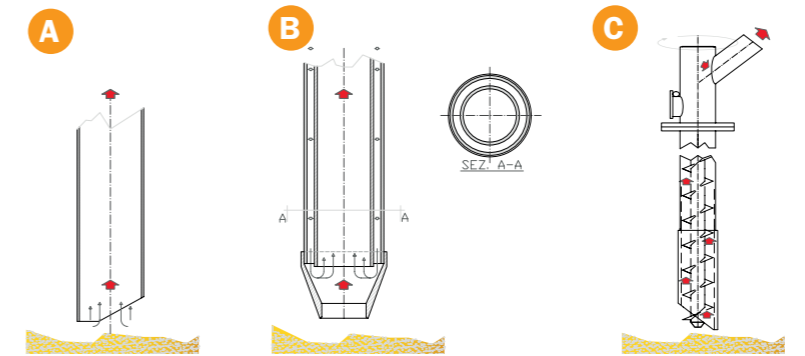
STANDARD VERSION



- 1) Inox steel AISI 304 probe
- 2) Air supply tube
- 3) Suction tube
- 4) Hyd cylinder
- 5) Hyd cylinder
- 6) Telescopic arm
- 7) Main column
- 8) Rotary bearing
- 9) Suction unit
- 10) Delivery hopper
- 11) Filter
- 12) Electrical cabinet
- 13) Control keyboard
- 14) Hydraulic unit



PROBE TYPES



- A) Single suction
- B) Double suction
- C) Spiral